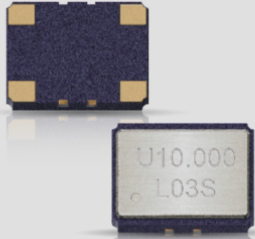
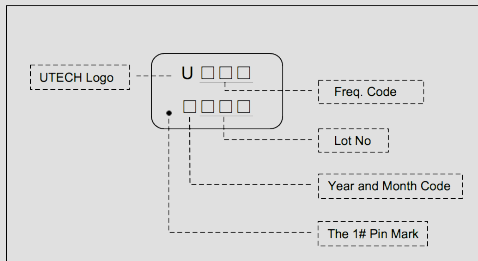


Oscillator TCXO SMD2520-M4

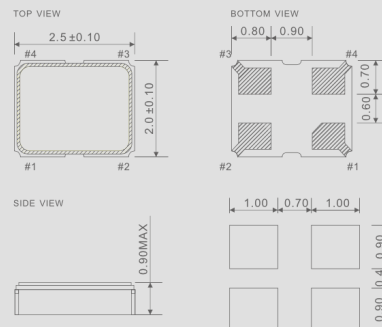


quarzwerk Part Number:	40-0005
Manufacturer:	Utech Electronics Technology Co., Ltd.
Series:	Oscillator TCXO SMD2520-M4
Type:	QPS2
Dimension (mm):	2.5 x 2.0 x 0.80
Frequency:	40.000000 MHz (fund.)
Supply Voltage (V _{DD}):	+3.3 V _{DC} ±10%
Input Current:	≤ 2.0 mA
Frequency Tolerance at +25°C:	±2.0 ppm
Frequency Stability vs Temperature Range:	±2.0 ppm
Frequency Stability vs Supply Voltage (±5%):	±0.2 ppm
Frequency Stability vs Load (±10%):	±0.2 ppm
Aging max.:	±1.0 ppm at 1 year, ±2.0 ppm over 5 years
Output Logic / Output Load:	CSW = Clipped Sine Wave / -
Control Voltage Range:	-
Absolute Pulling Range (APR):	-
Operating Temperature:	-40°C to +85°C
Storage Temperature:	-55°C to +125°C
Symmetry:	-
Rise & Fall Time:	≤ 5 ns
Phase Noise:	-117 dBc/Hz at 100 Hz
	-127 dBc/Hz at 1 kHz
	-148 dBc/Hz at 10 kHz
	-150 dBc/Hz at 100 kHz
Start-up Time:	≤ 2 mSec
RoHS :	Pb free - 2011/65/EU (RoHS 2) compliant
Package Unit:	3000 pcs/reel

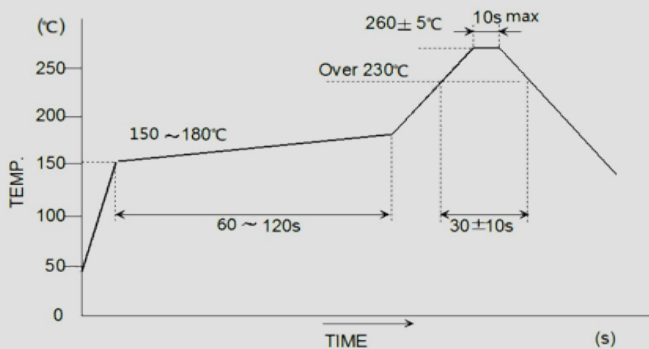
Marking



Dimension



Recommended Reflow Soldering Standard Condition



YOUR FREQUENCY COMPANY