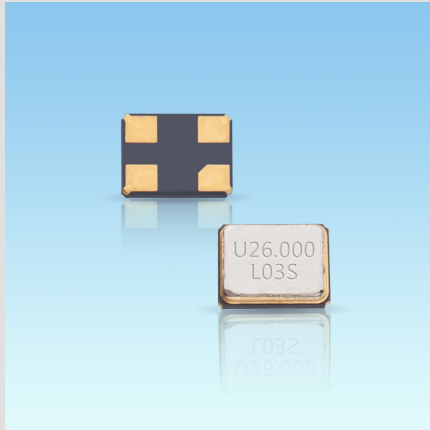
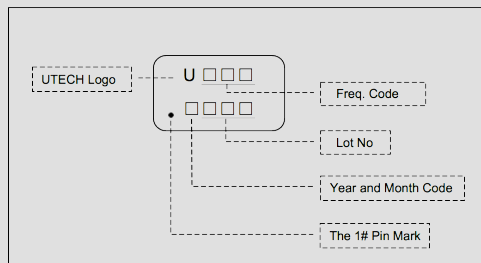


Quarz SMD3225-M4

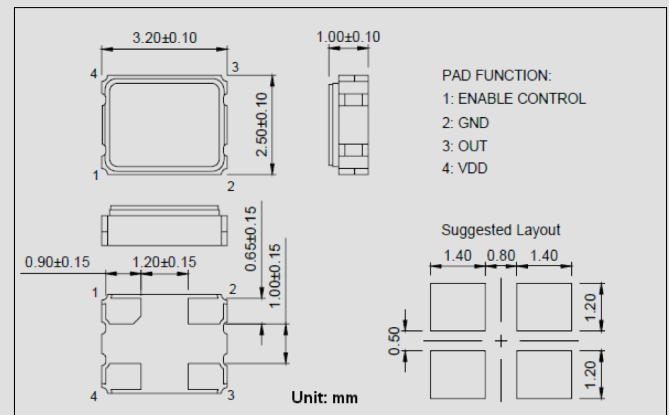


quarzwerk Part Number:	20-0006
Manufacturer:	Utech Electronics Technology Co., Ltd.
Series:	Oscillator SMD3225-M4
Type:	QOS3
Dimension (mm):	3.2 x 2.5 x 1.00
Frequency:	13.560000 MHz
Supply Voltage (VDD):	+3.3 Vdc ±10%
Input Current:	10 mA max.
Frequency Tolerance:	±25ppm
Output Logic / Output Load:	HCMOS / 15pF
Operating Temperature:	-40°C to +85°C
Storage Temperature:	-55°C to +125°C
Symmetry:	50% ±5%
Rise & Fall Time:	≤ 5 ns
Output Disable / Enable Time:	≤ 100 ns
Start-up Time:	≤ 5 ms
Package Unit:	1000pcs/reel or 3000pcs/reel

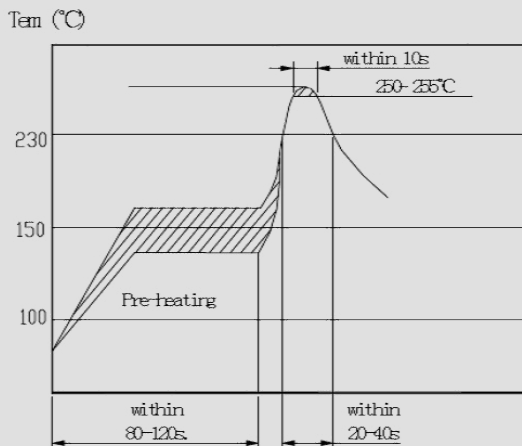
Marking



Dimension



Recommended Reflow Soldering Standard Condition



YOUR FREQUENCY COMPANY