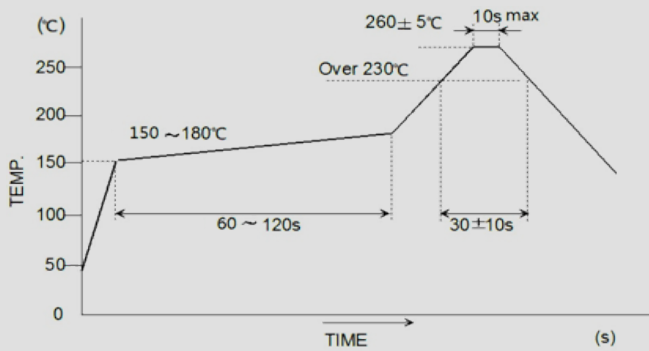


kHz Quarz SMD3215-C2

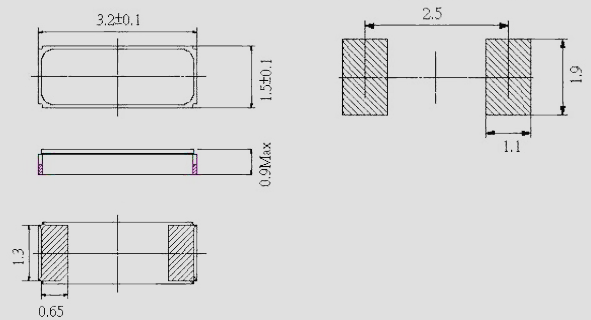


quarzwertk Part Number:	17-1302
Case Size:	SMD3215-C2
Type:	S3225
Dimension (mm):	3.2 x 1.5 x 0.90
Frequency:	32.768 kHz
Mode:	XY-Cut
Load Capacity CL:	12.5 pF
Frequency Tolerance at +25°C:	±10 ppm
Frequency Tolerance over Temperature:	$f \text{ (ppm)} = TC \cdot (25^\circ\text{C} - T)^2$ TC: -0,045 ppm/°C ² max.
Operating Temperature:	-40°C to +85°C
Storage Temperature:	-55°C to +105°C
Equivalent Series Resistance (ESR):	80000 Ohm max.
Drive Level max:	0.10 µW
Aging:	±3ppm max. 1 year
Shunt Capacitance:	2.00 pF max.
Package Unit:	3000pcs/reel
RoHS :	Pb free - 2011/65/EU (RoHS 2) compliant

Recommended Reflow Soldering Standard Condition



Dimension (mm) and Recommended Soldering Pattern



YOUR FREQUENCY COMPANY

quarzwertk 01 GmbH

Neckartal 154/1
D-78628 Rottweil

Phone +49.741.20 96 30-00
Fax +49.741.20 96 30-29

info@quarzwertk.net
www.quarzwertk.net