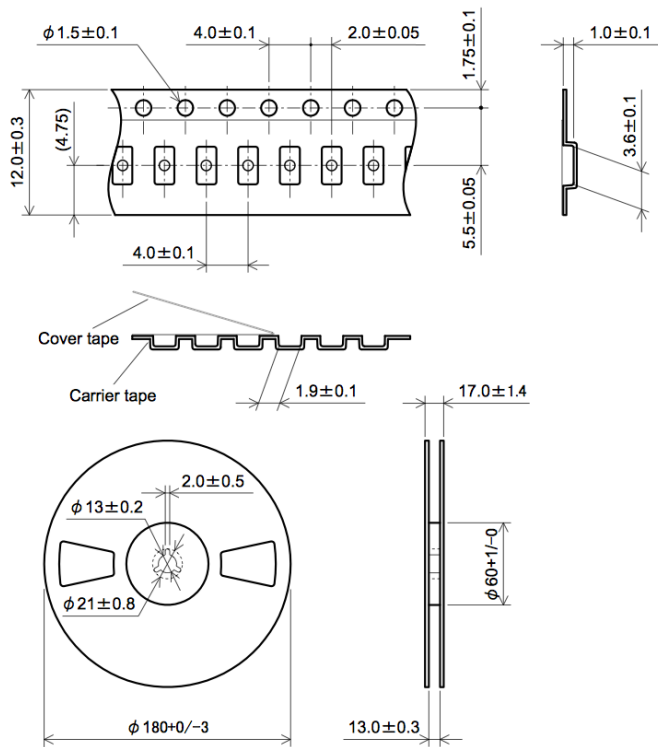


Quarz SMD3215-C2

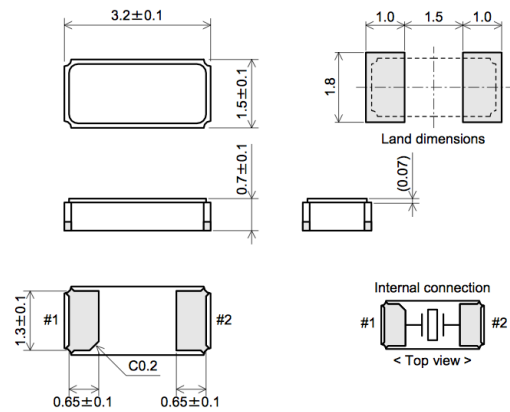


quarzwerk Part Number:	14-0015
Manufacturer:	RIVER ELETEC CORPORATION
Series:	SMD3215-C2
Type:	TXF-02S
Dimension (mm):	3.2 x 1.5 x 0.70
Frequency:	32.768 kHz
Mode:	XY-Cut (Tuning Fork)
Load Capacity CL:	12.5pF
Frequency Tolerance at +25°C:	±20ppm
Frequency Tolerance over Temperature:	TC = $-(0.03 \pm 0.01) \times 10^{-6}$ f(ppm) = TC · (25°C - T) ²
Operating Temperature:	-40°C to +85°C
Storage Temperature:	-55°C to +125°C
Equivalent Series Resistance (ESR):	70k Ohm max.
Drive Level:	0.5 µW max.
Aging:	Fist year ±3 ppm max.
Motional Capacitance:	6.5 pF Typical
Package Unit:	3000pcs/reel

Taping



Dimension (mm)



YOUR FREQUENCY COMPANY