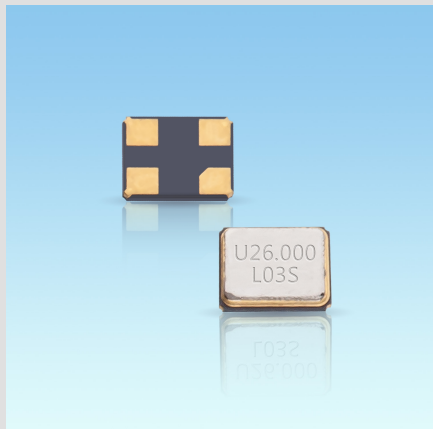
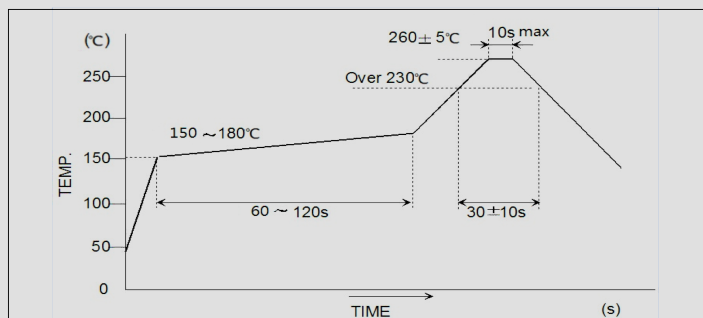


Quarz SMD3225-M4

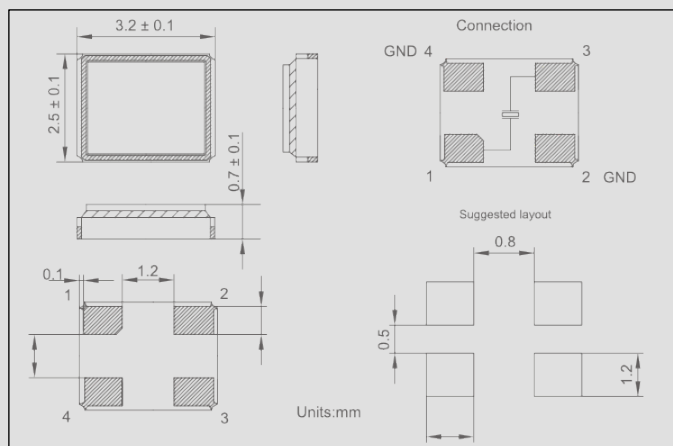


quarzwerk Part Number:	10-0594
Manufacturer:	Utech Electronics Technology Co., Ltd.
Series:	SMD3225-M4
Type:	QRS3
Dimension (mm):	3.2 × 2.5 × 0.70
Frequency:	26.000000 MHz
Mode:	Fundamental AT-Cut
Load Capacity CL:	9 pF
Frequency Tolerance at +25°C:	±10 ppm
Frequency Tolerance over Temperature:	±10 ppm
Operating Temperature:	-20°C to +70°C
Storage Temperature:	-55°C to +125°C
Equivalent Series Resistance (ESR):	40 Ohm max.
Drive Level max.:	100 µW
Aging:	Fist year ±1 ppm max.
Package Unit:	3000pcs/reel
RoHS :	Pb free - 2011/65/EU (RoHS 2) compliant

Recommended Reflow Soldering Standard Condition



Dimension



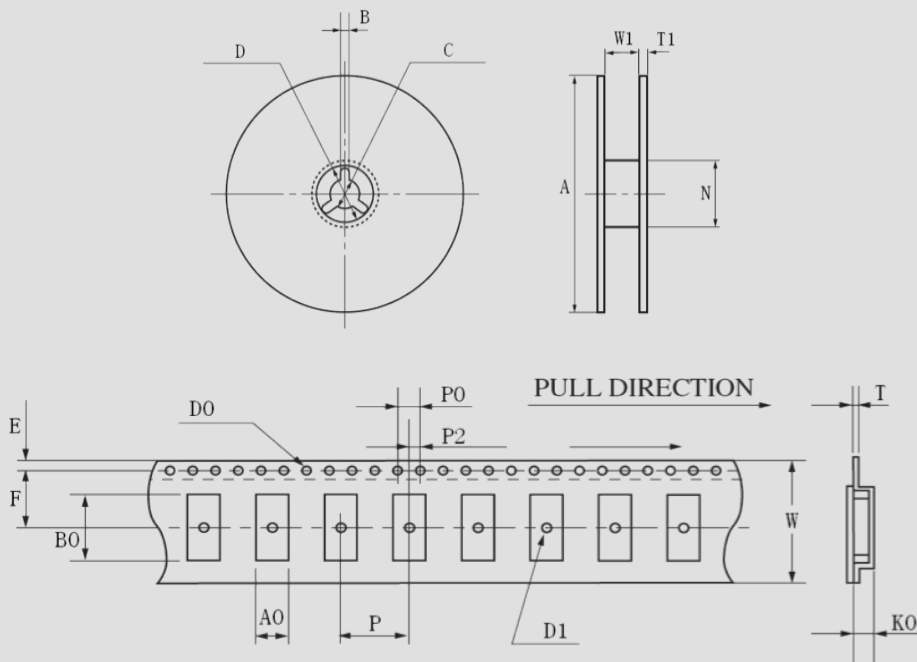
Document History

Date	Changes
06.07.2016	Released



YOUR FREQUENCY COMPANY

Packaging Dimension



	HC-49SMD	7050	5032	5019	3225	3215	2520	2016
W	24.00±0.30	16.00±0.05	12.00±0.05	12.00±0.05	12.00±0.05	12.00±0.05	12.00±0.05	8.00±0.05
E	1.75±0.10	1.75±0.10	1.75±0.10	1.75±0.10	1.75±0.10	1.75±0.10	1.75±0.10	1.75±0.10
F	11.5±0.10	7.5±0.10	5.5±0.10	5.5±0.10	5.5±0.10	5.5±0.10	5.5±0.10	3.5±0.10
T	0.40±0.05	0.35±0.05	0.35±0.05	0.35±0.05	0.30±0.05	0.30±0.05	0.30±0.05	0.20±0.02
P	12.00±0.10	8.00±0.10	8.00±0.10	8.00±0.10	8.00±0.10	8.00±0.10	4.00±0.10	4.00±0.10
PO	4.00±0.10	4.00±0.10	4.00±0.10	4.00±0.10	4.00±0.10	4.00±0.10	4.00±0.10	4.00±0.10
P2	2.00±0.10	2.00±0.10	2.00±0.10	2.00±0.10	2.00±0.10	2.00±0.10	2.00±0.10	2.00±0.10
D0	φ1.50±0.10	φ1.50±0.10	φ1.50±0.10	φ1.50±0.10	φ1.50±0.10	φ1.50±0.10	φ1.50±0.10	φ1.50±0.10
D1	φ1.50MIN	φ1.50MIN	φ1.50MIN	φ1.50MIN	φ1.50MIN	φ1.50MIN	φ1.50MIN	φ1.00MIN
A0	4.60±0.10	5.40±0.10	3.60±0.10	3.60±0.10	2.85±0.10	2.85±0.10	2.20±0.10	1.90±0.10
K0	4.40±0.10	1.80±0.10	1.50±0.10	1.50±0.10	0.85±0.10	0.85±0.10	0.85±0.10	0.60±0.05
BO	14.20±0.15	7.40±0.10	5.40±0.10	5.40±0.10	3.55±0.10	3.55±0.10	3.55±0.10	2.30±0.10
A	φ330±1.0	φ178±2.0	φ178±2.0	φ178±2.0	φ178±2.0	φ178±2.0	φ178±2.0	φ178±1.0
B	2.30±0.20	2.00±0.50	2.00±0.50	2.00±0.50	2.00±0.50	2.00±0.50	2.00±0.50	2.00±0.50
C	φ13.5±0.20	φ13.2±0.20	φ13.2±0.20	φ13.2±0.20	φ13.2±0.20	φ13.2±0.20	φ13.2±0.20	φ13.0±0.20
D	φ21.5±0.20	φ20.0±0.50	φ20.0±0.50	φ20.0±0.50	φ20.0±0.50	φ20.0±0.50	φ20.0±0.50	φ20.0±0.50
N	φ100.0±0.5	φ60.5±1.0	φ60.5±1.0	φ60.5±1.0	φ60.5±1.0	φ60.5±1.0	φ60.5±1.0	φ60.0±1.0
W1	24.5±0.20	16.5±0.20	12.5±0.20	12.5±0.20	12.5±0.20	12.5±0.20	12.5±0.20	8.4±0.20
T1	2.30±0.20	1.80±0.20	1.80±0.20	1.80±0.20	1.80±0.20	1.80±0.20	1.80±0.20	1.50±0.20